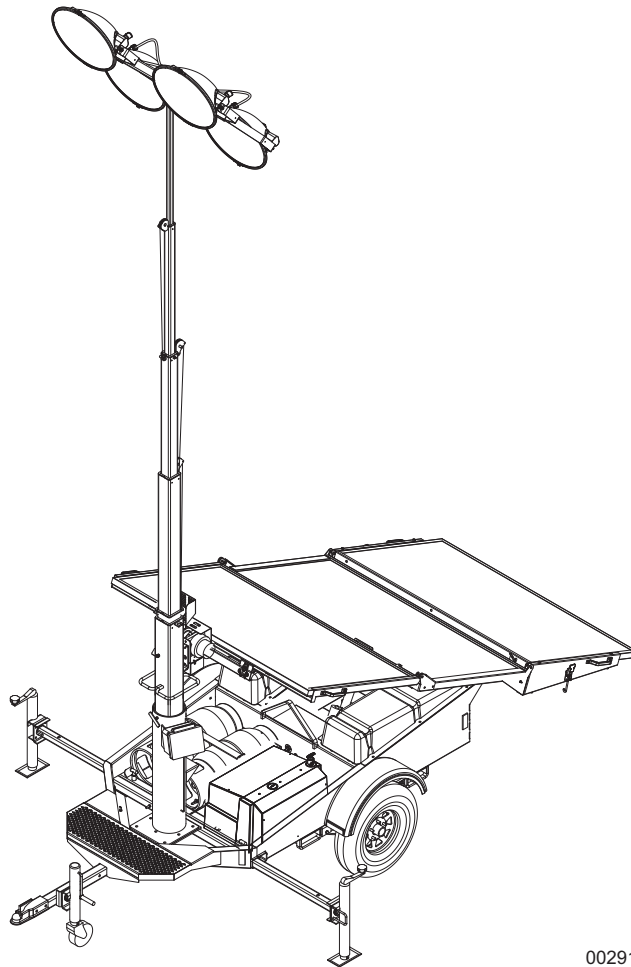




LIGHT TOWER
MLT4000S



00291

PARTS MANUAL

INTRODUCTION

Before servicing this machine, make sure the Gen Power switch is set to OFF and the negative (-) terminals on both battery banks are disconnected. Attach a "DO NOT START" sign to the control panel. This will notify everyone that the unit is being serviced and will reduce the chance of someone inadvertently trying to start the unit.

▲ WARNING

Before operating or servicing this equipment, read and understand the operator's manual which was included with the unit when shipped from the factory. Failure to do so increases the risk of injury to yourself or others.

MAGNUM POWER PRODUCTS LLC

215 Power Drive • Berlin, WI 54923

U.S.A.

Phone: 920-361-4442

FAX: 920-361-4416

Toll Free: 1-800-926-9768

www.m-p-llc.com

For technical or parts QUESTIONS, please contact Magnum Power Products LLC Customer Support or Technical Support team at 1-800-926-9768. Please have your serial number available.

To ORDER SERVICE PARTS, please contact the dealer from which you purchased the unit, or call Magnum Power Products LLC to locate a dealer in your area.

Engine Make: _____

Engine Serial Number: _____

Engine Model Number: _____

Generator Make: _____

Generator Model Number: _____

Generator Serial Number: _____

Unit Model Number: _____

Unit Serial Number: _____

▲ WARNING

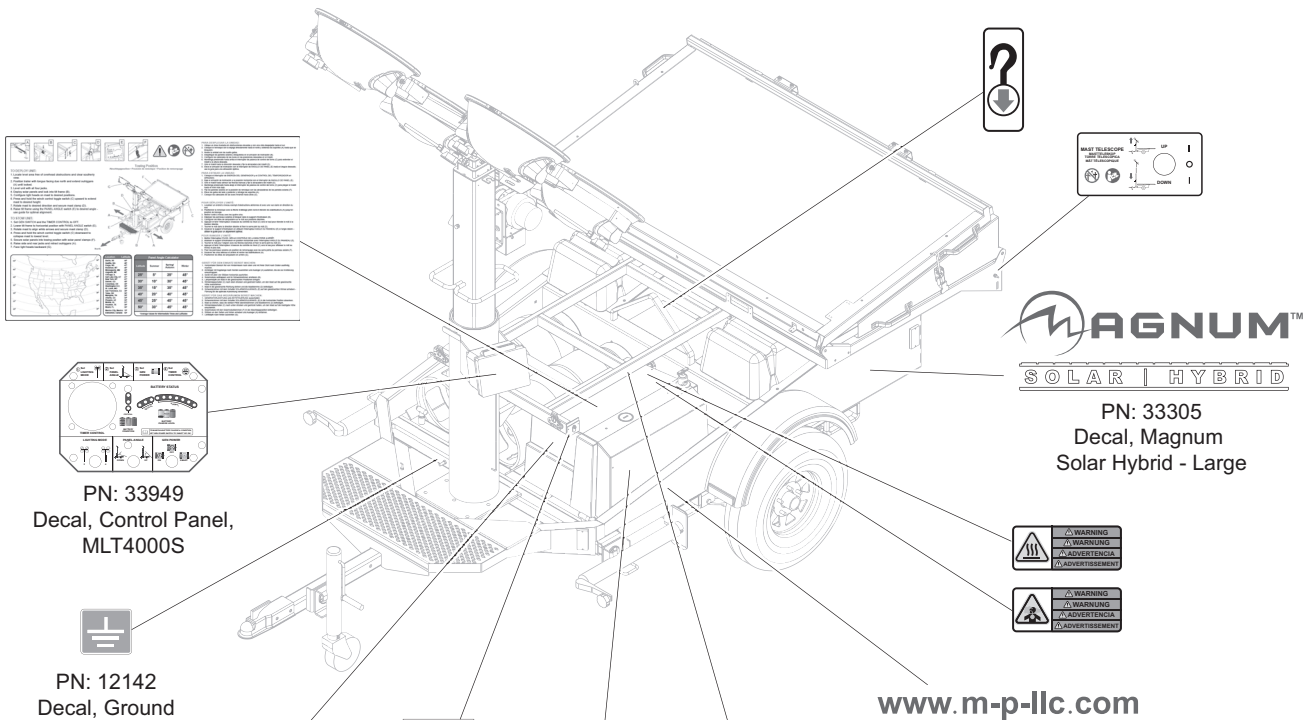
CALIFORNIA PROPOSITION 65 WARNING:

Engine exhaust and some of its constituents are known to the state of California to cause cancer, birth defects and other reproductive harm.

TABLE OF CONTENTS

	Page
INTRODUCTION	2
UNIT DECALS - FRONT	4
UNIT DECALS - REAR	5
MAST TO UNIT	6
MAST ASSEMBLY	8
WINCH ASSEMBLY	10
MAST JUNCTION BOX ASSEMBLY	12
LED LIGHT ASSEMBLY	14
TILT TABLE AND ACTUATOR TO UNIT	16
SOLAR PANELS AND TILT FRAME	18
ACTUATOR ASSEMBLY	20
GENSET ASSEMBLY TO UNIT	22
GENSET ASSEMBLY (1 OF 2)	24
GENSET ASSEMBLY (2 OF 2)	26
LP TANK GROUP	28
BATTERY AND ELECTRICAL COMPARTMENTS	30
ELECTRICAL COMPARTMENT (1 OF 2)	32
ELECTRICAL COMPARTMENT (2 OF 2)	34
TRAILER ASSEMBLY	36
NOTES	38

UNIT DECALS - FRONT



PN: 33949
Decal, Control Panel,
MLT4000S

PN: 12142
Decal, Ground

MAGNUM™
SOLAR | HYBRID
PN: 32761
Decal, Magnum
Solar Hybrid - Small

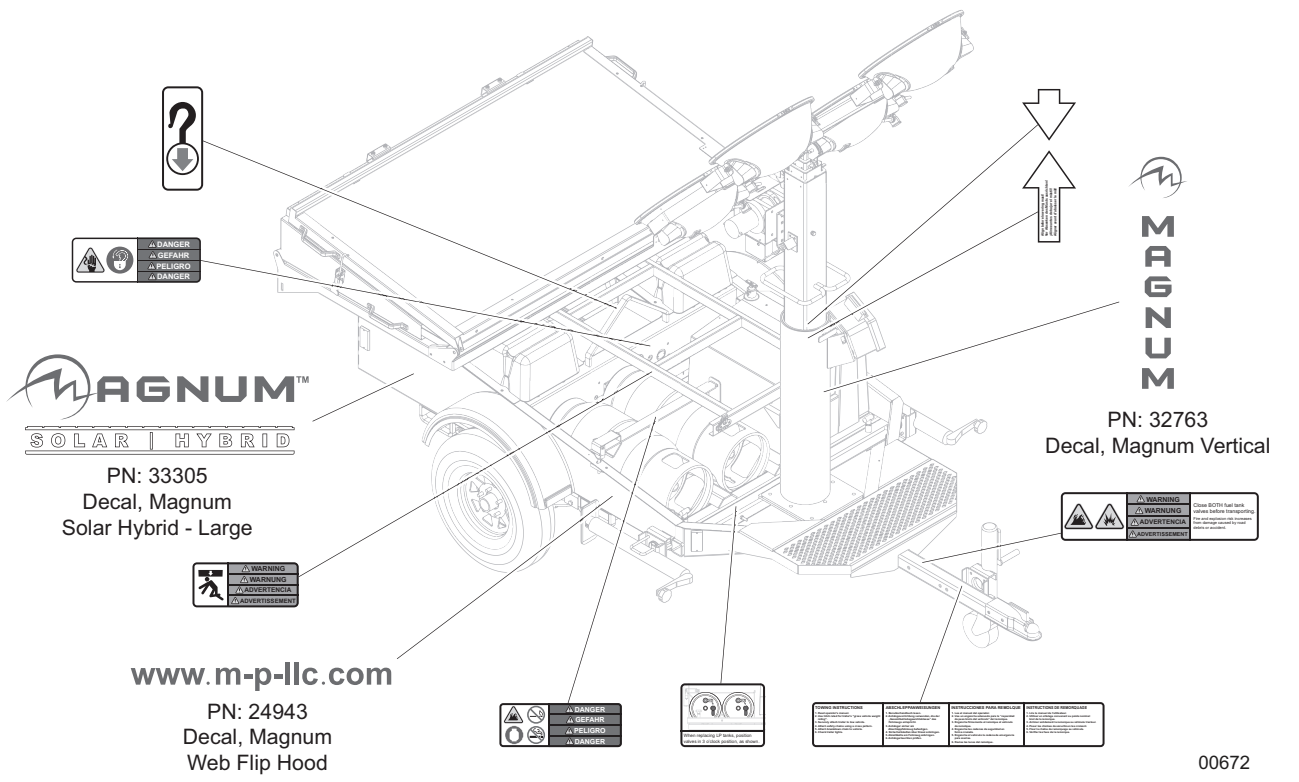
PN: 34519
Decal, Angle
Indicator

PN: 34325
Decal, Magnum
M Red

www.m-p-llc.com

PN: 24943
Decal, Magnum
Web Flip Hood

MAGNUM™
SOLAR | HYBRID
PN: 33305
Decal, Magnum
Solar Hybrid - Large



MAGNUM™
SOLAR | HYBRID
PN: 33305
Decal, Magnum
Solar Hybrid - Large

www.m-p-llc.com

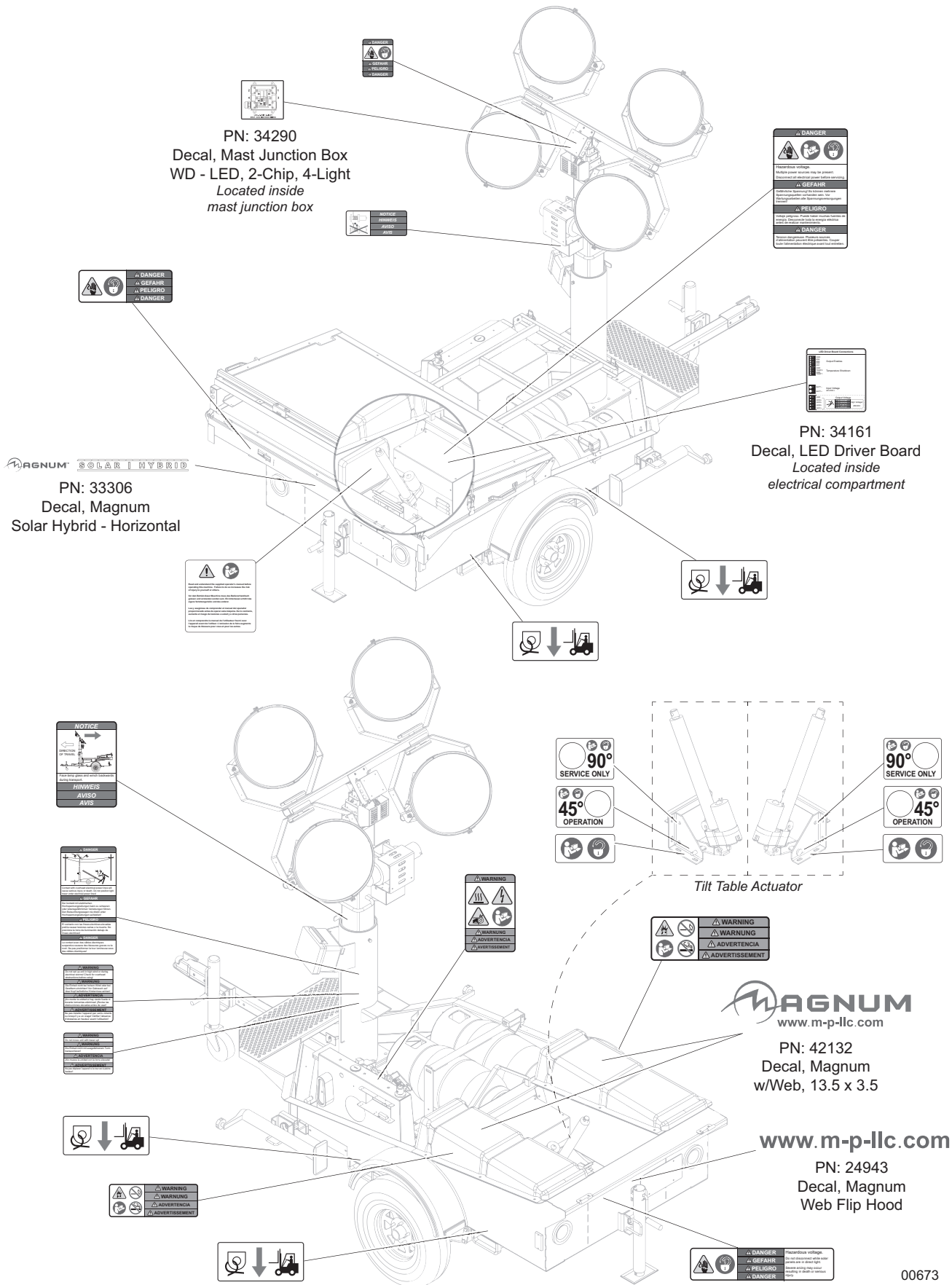
PN: 24943
Decal, Magnum
Web Flip Hood

PN: 32763
Decal, Magnum Vertical

00672

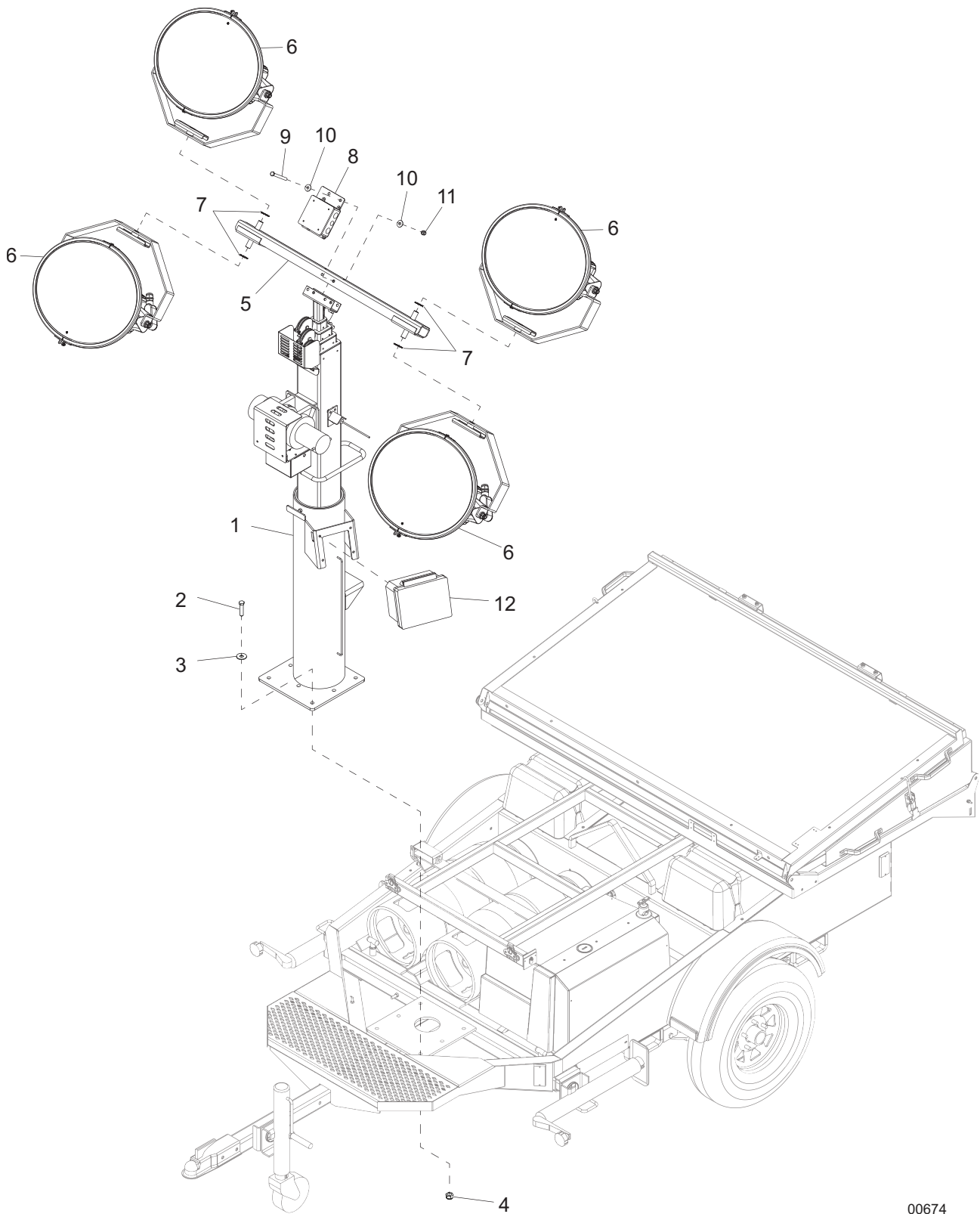
All safety and operating decals are located on decal sheet 32728, unless otherwise noted.

UNIT DECALS - REAR



All safety and operating decals are located on decal sheet 32728, unless otherwise noted.

MAST TO UNIT

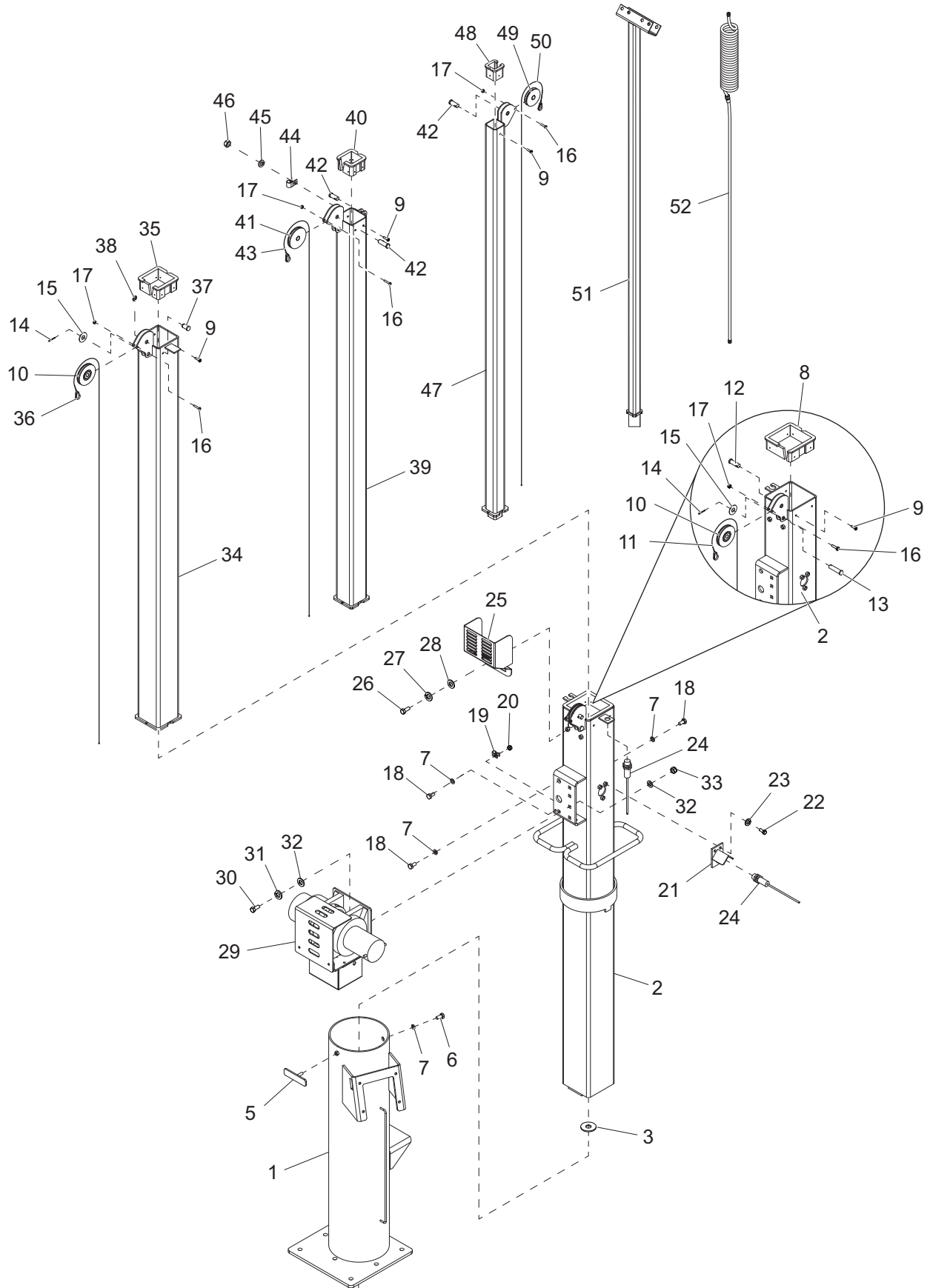


00674

MAST TO UNIT

ITEM	PART NO.	QTY	DESCRIPTION	NOTES
1	Page 8	1	Assembly, mast	
2	60388	6	Screw, .500-13x1.50 std hex, G5	
3	60700	6	Washer, .500 flat 1.250/.060	
4	62221	6	Nut, .500-13 nylock, G5	
5	13527B	1	Weldment, mast crossbar - 3/4 in. studs	
6	Page 14	4	Assembly, light fixture	
7	61174	4	Washer, .750 external star	
8	Page 12	1	Assembly, mast junction box	
9	60753	2	Screw, .375-16x3.50 std hex, G5	Included with item 1
10	60386	4	Washer, .375 flat .993/.064	Included with item 1
11	60358	2	Nut, .375-16 nylock, G5	Included with item 1
12	32235	1	Assembly, solar control panel	

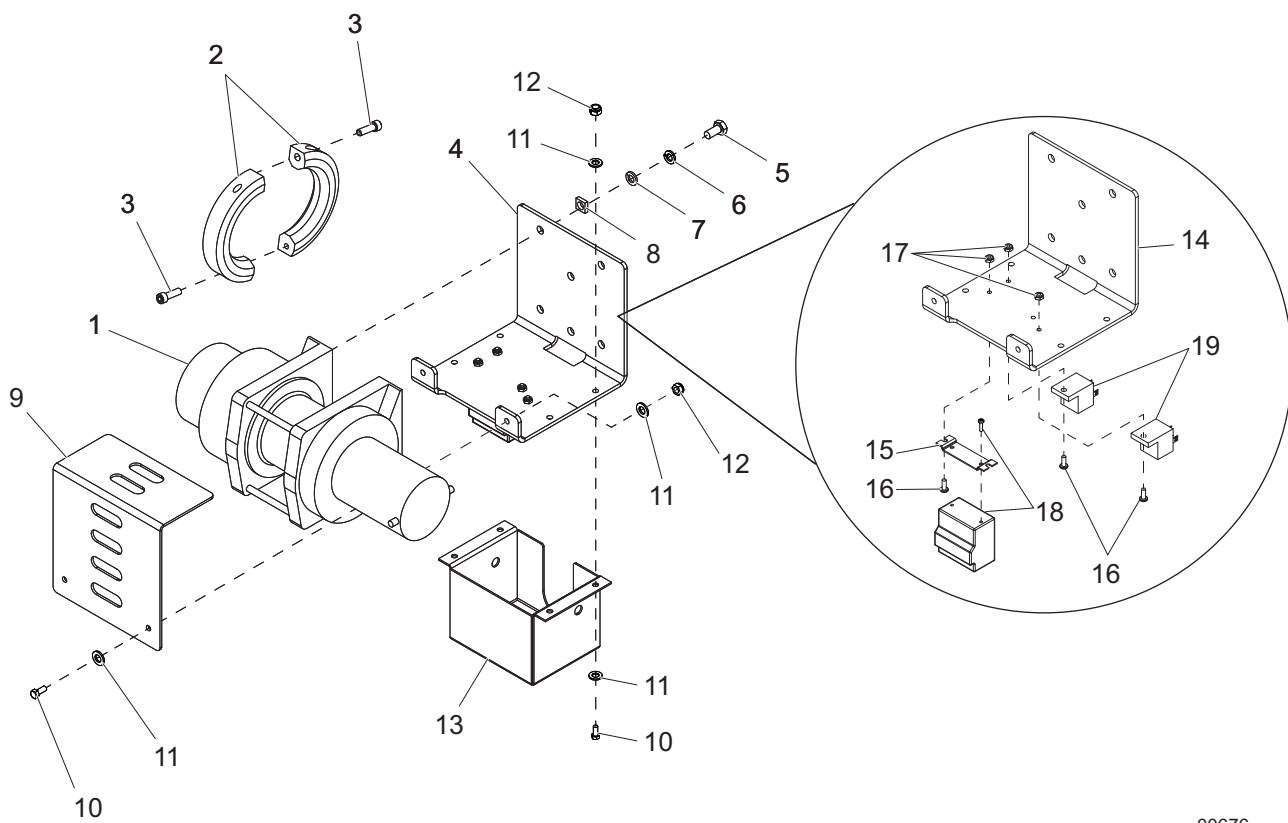
MAST ASSEMBLY



MAST ASSEMBLY

ITEM	PART NO.	QTY	DESCRIPTION	NOTES
1	34157B	1	Weldment, vertical mast - support	
2	34155B	1	Weldment, vert mast - bottom section	
3	60247	1	Washer, .750 flat 2.020/.130	
4	60584	1	Nut, 750-10 nylock, G5	
5	11649Z	1	Weldment, T-bolt	
6	60295	1	Screw, .375-16x.750 std hex, SS	
7	60703	3	Washer, .375 split lock, SS	
8	32408	1	Shim, 5x5 tube	
9	32569	14	Screw, 8-16x.375 pan phil, SS	
10	33736	2	Assembly, pulley vertical mast	
11	34132	1	Cable, .188x116.00, SS w/ball swedge	
12	63325	1	Pin, clevis - .500 dia. x 1.063	Self-locking
13	14234	1	Pin, clevis - .500 dia. x 2.00	
14	15380	2	Pin, cotter - .125x1.25	
15	60309	2	Washer, .500 flat 1.060/.090	
16	60397	4	Screw, 10-32x1.00 pan phil, G2	
17	60061	4	Nut, 10-32 nylock	
18	62269	2	Screw, .375-16x.75 std hex, SS	
19	116143	1	Clamp, tubing - .500	
20	60358	1	Nut, .375-16 nylock, G5	
21	13796B	1	Weldment, proximity sensor bracket	
22	60687	3	Screw, .312-18x.750 std hex, SS	
23	60701	3	Washer, .312 split lock, SS	
24	65511	2	Sensor, proximity	
25	33395B	1	Guard, vertical mast - pulley	
26	60149	2	Screw, .312-18x.500 std hex, G5	
27	60271	2	Washer, .312 split lock	
28	60119	2	Washer, .312 flat .875/.070	
29	<i>Page 10</i>	1	Assembly, winch	
30	60352	2	Screw, .375-16x1.25 std hex, G5	
31	60206	2	Washer, .375 split lock	
32	60386	4	Washer, .375 flat .993/.064	
33	60140	2	Nut, .375-16 hex, G5	
34	32004B	1	Weldment, vert mast - 4 in	
35	13790	1	Shim, 4x4 tube	
36	34128	1	Cable, .188x69.25, SS w/ball swedge	
37	63280	1	Pin, grooved clevis, .500 dia. x .780	
38	63281	1	Clip, E-ring	
39	32007B	1	Weldment, vert mast - 3 in	
40	13789	1	Shim, 3x3 tube	
41	14262	1	Sheave, 3.0 in	
42	63279	3	Pin, clevis - .500 dia. x .780	Self-locking
43	34129	1	Cable, .188x69.75, SS w/ball swedge	
44	15627	1	Clamp, tubing, .625 heavy duty	
45	60206	1	Washer, .375 split lock hardened	
46	60140	1	Nut, .375-16 hex, G5	
47	32010B	1	Weldment, vertical mast - 2 in	
48	32409	1	Shim, 2x2 tube	
49	32524	1	Sheave, 2.5 in	
50	34130	1	Cable, .125x67.875, SS w/ball swedge	
51	32015B	1	Weldment, vertical mast - 1.25 in	
52	34261	1	Coil cord, solar, w/connector	
--	30320	1	Assembly, vertical mast, solar	Items 1-52

WINCH ASSEMBLY

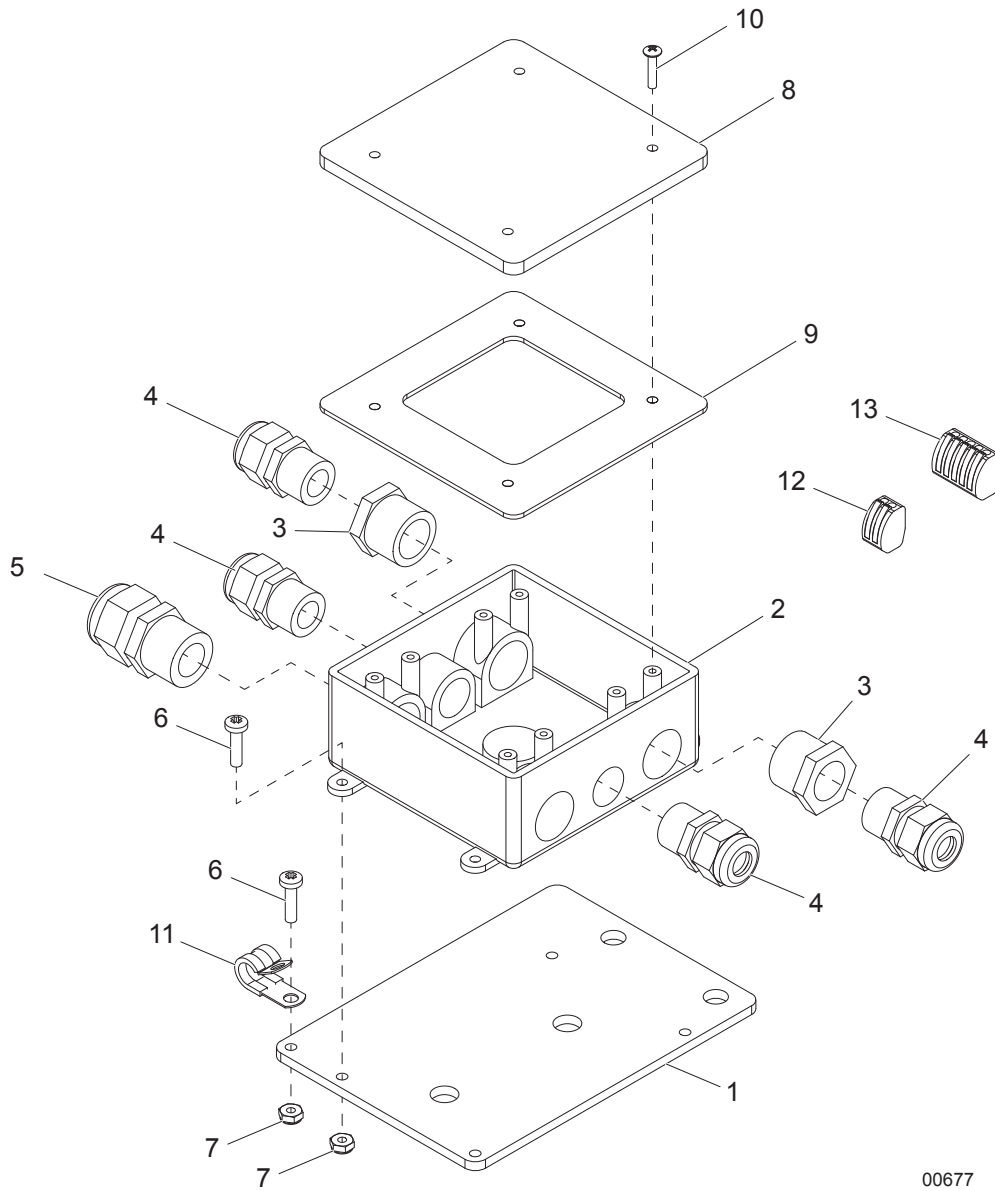


00676

WINCH ASSEMBLY

ITEM	PART NO.	QTY	DESCRIPTION	NOTES
1	34294	1	Winch, elec - 1200 lb. hoist - 24V	
2	33630	2	Collar, half 3.50 ID x 5.50 OD x 1.00 LG	
3	63213	2	Screw, .312-19x1.00 soc hex 316, SS	
4	34533	1	Assembly, winch elec. comp, solar	Items 14-19
5	60352	5	Screw, .375-16x1.250 std hex G5	Included with item 1
6	60206	6	Washer, .375 split lock hardened	Included with item 1
7	60386	7	Washer, .375 flat .993/.0654	Included with item 1
8	--	4	Square nut, .375-16	Included with item 1
9	33822B	1	Bracket, winch cover	
10	60393	6	Screw, .250-20x1.00 std hex, G5	
11	60243	12	Washer, .250 flat .735/.060	
12	60144	6	Nut, .250-20 nylock, G5	
13	12875B	1	Cover, winch contactor	
14	33858B	1	Bracket, winch mounting	
15	33255B	1	Bracket, electric winch solenoid	
16	60277	4	Screw, 10-32x.500 pan phil, G2	
17	60061	4	Nut, 10-32 nylock	
18	33955	1	Contacto, 24V electric winch	
19	67028	2	Relay, 24V 30/40A N.O. w/diode	

MAST JUNCTION BOX ASSEMBLY

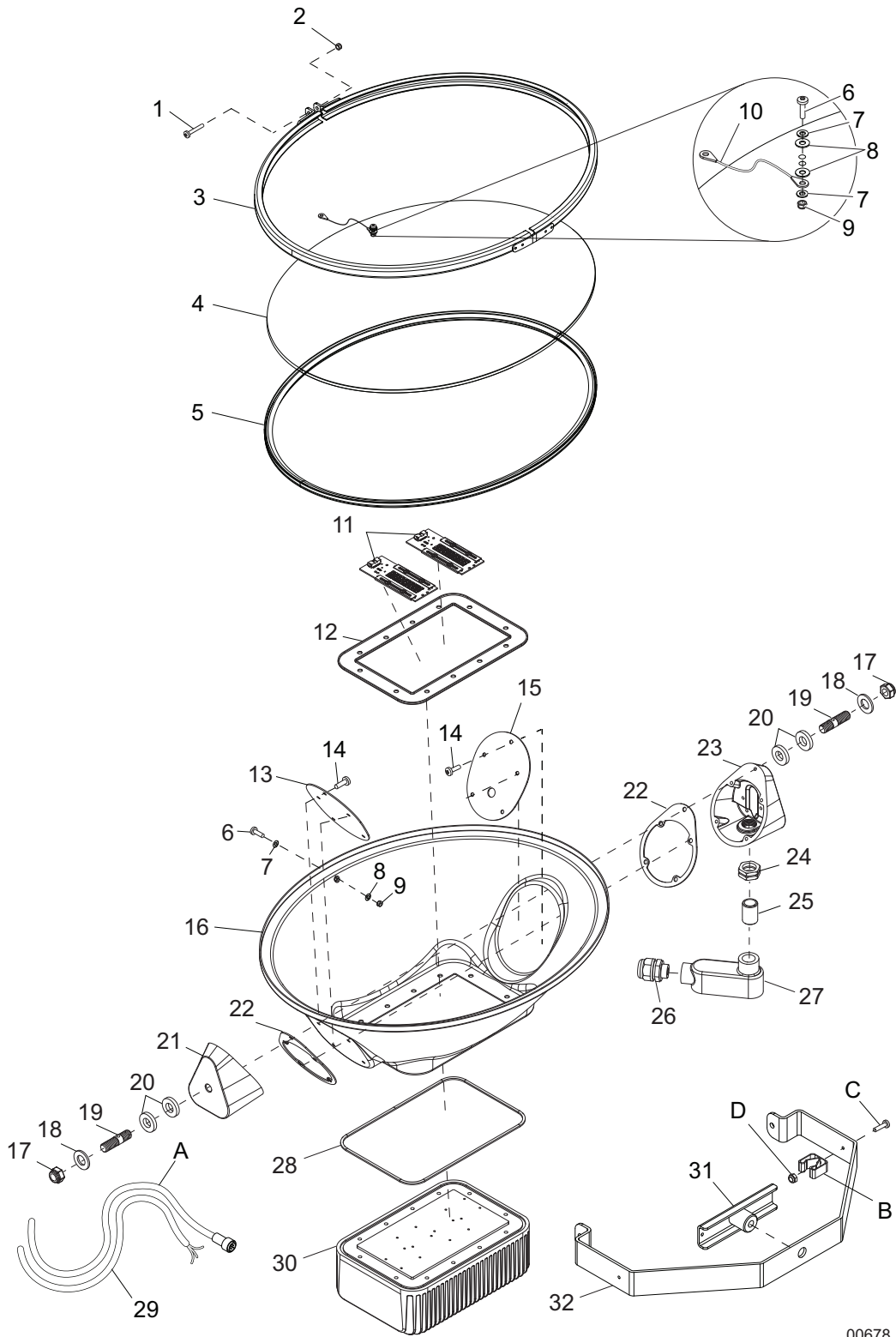


00677

MAST JUNCTION BOX ASSEMBLY

ITEM	PART NO.	QTY	DESCRIPTION	NOTES
1	12095B	1	Bracket, junction box	
2	12094	2	Box, junction	
3	60755	3	Fitting, .750MNPT x .500FNPT nylon	
4	15864	4	Strain relief, .500NPT water tight	
5	14656	5	Strain relief, .750NPT water tight	
6	60062	5	Screw, 10-32x .750 pan phil, G2	
7	60415	5	Nut, 10-32 nylock, SS	
8	12109	1	Box cover, 2-gang plastic	
9	13749	1	Gasket, junction box - HFI 281000	
10	60424	4	Screw, 6-32x.750 pan phil, G2 self threading	
11	16143	1	Clamp, tubing .500	
12	66100	4	Connector, 2 pos	
13	66102	2	Connector, 5 pos	
--	13020	1	Assy, mast junction box - 4 light HW	Items 2 & 5
--	34297	1	Assy, mast box, HW 2 LED chip 4 lt mast	Items 1-13

LED LIGHT ASSEMBLY



00678

LED LIGHT ASSEMBLY

ITEM	PART NO.	QTY	DESCRIPTION	NOTES
1	60304	1	Screw, M5-0.80x25 pan phil	
2	60447	1	Stud, .250-28x4.50	
3	13367	1	Assembly, aluminum ring, oval light	
4	13369	1	Lens, glass oval	
5	13373	1	Gasket, lens oval	
6	13399	2	Screw, M4 x 18 pan hd phillips	
7	60067	4	Washer, #10 flat .436/.060, SS	
8	13372	2	Washer, #4 nylon	
9	60051	2	Nut, M4-.70 nylock G8.8	
10	13370	1	Assembly, tether	
11	--	2	LED lights	Included with item 16
12	--	1	Heat sink backer plate	Included with item 16
13	13377	1	Bracket, non-socket end plate	
14	--	18	Screw	Included with item 16
15	--	1	Bracket, wiring end plate	Included with item 16
16	13366	1	Housing assembly	
17	13392	2	Stud, trunnion mounting	
18	60307	2	Nut, .500-13 nylock, G5	
19	13392	2	Stud, trunnion	
20	13390	4	Washer, 1/2" nylon	
21	13374	1	Support, housing/trunnion	
22	13378	2	Gasket, silicone	
23	13375	1	Support, housing/trunnion	
24	15861	1	Nut, special, .500NPT lock	
25	13386	1	Fitting, nipple	
26	15864	1	Strain relief - .500NPT watertight .270/.464 ID	
27	13387	1	Connector, weathertight .500	
28	--	1	Gasket	Included with item 16
29	13438	1	Cord, power hard wired	
30	--	1	Heat sink	Included with item 16
31	13403	1	Handle, T - oval light	
32	13368	1	Trunnion, oval light	
--	33125	1	Assembly, light fixture-LED, HW oval 2 chip	Items 1-32

OPTIONAL FEATURES

Cord:

A 13383 1 Power quick disconnect

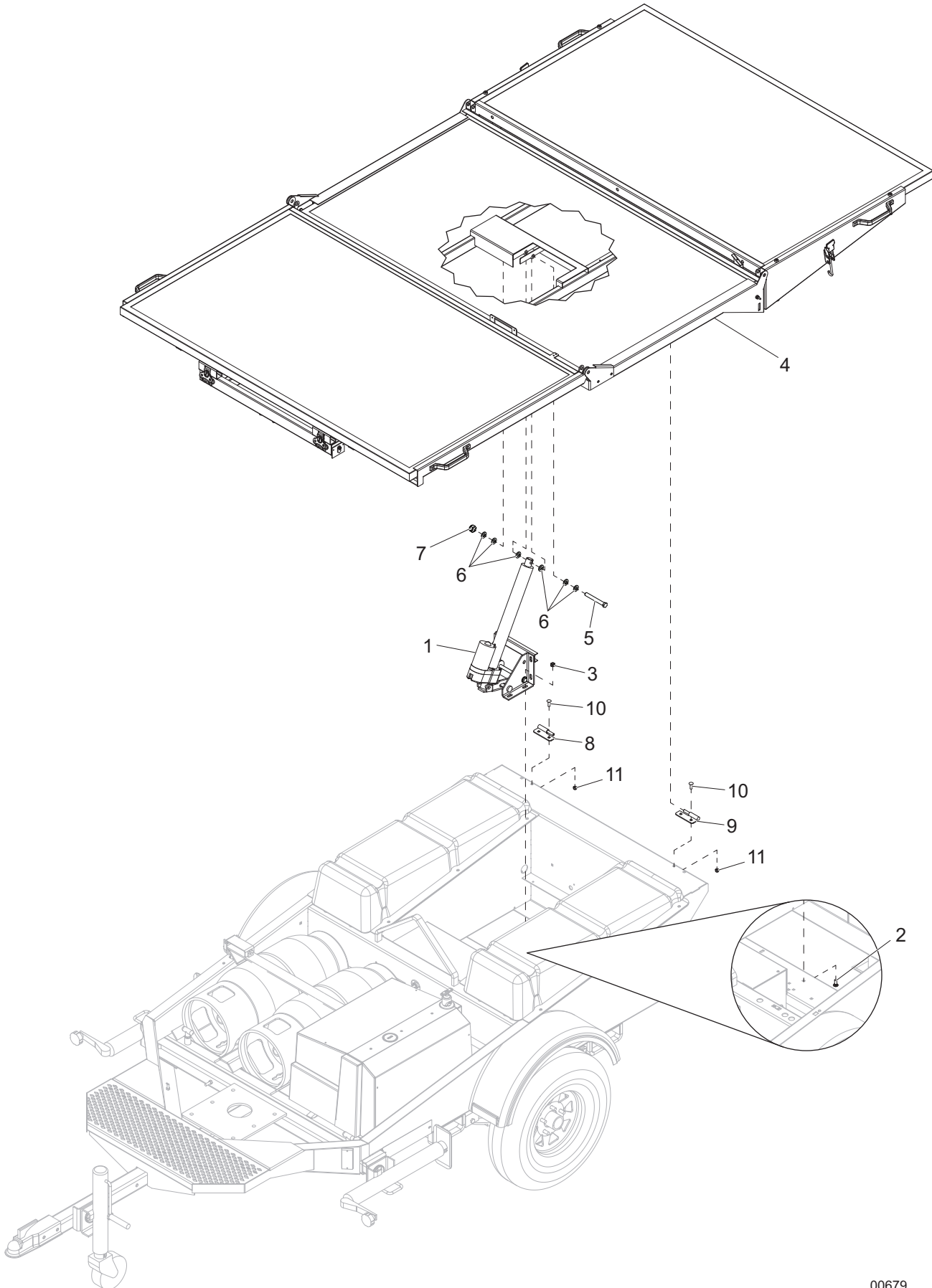
Trunnion:

B 19041 1 Clip, spring holder

C 60398 1 Screw, 10-32x.500 pan phil, SS

D 60061 1 Nut, 10-32 nylock G5

TILT TABLE AND ACTUATOR TO UNIT

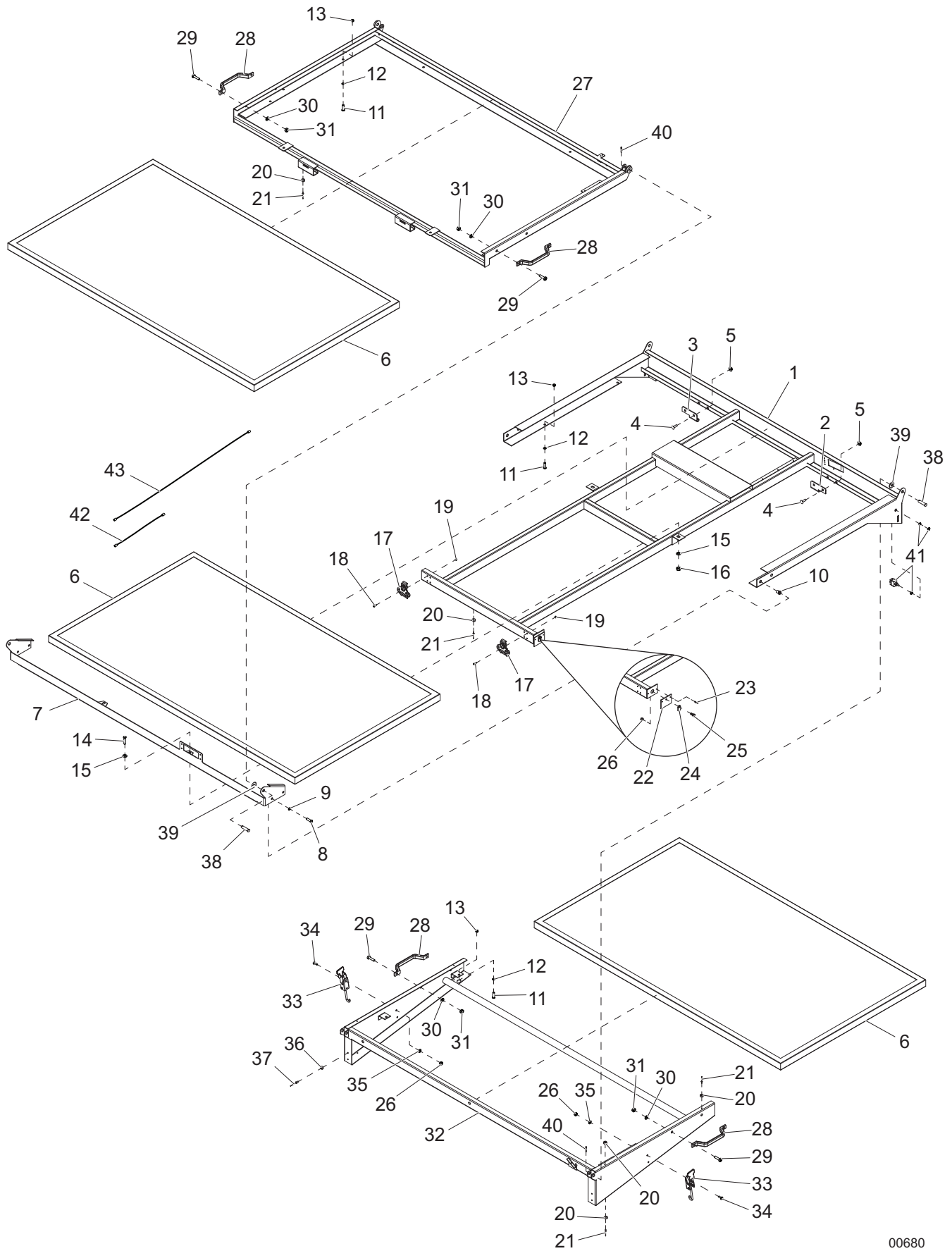


00679

TILT TABLE AND ACTUATOR TO UNIT

ITEM	PART NO.	QTY	DESCRIPTION	NOTES
1	<i>Page 20</i>	1	Actuator assembly, solar	
2	60790	4	Screw, .375-16x1.00 carr square, SS	
3	60145	4	Nut, .375-16 sflg, G5	
4	30338	1	Solar panel and tilt frame group	
5	60983	1	Screw, .500-13x3.00 std hex, G5	
6	60309	6	Washer, .500 flat 1.060/.090	
7	62221	1	Nut, .500-13 nylock, G5	
8	35128	1	Hinge, left (male), welded	
9	35127	1	Hinge, right (male), welded	
10	61066	4	Screw, .312-18x1.00 carr square, SS	
11	60303	4	Nut, .312-18 nylock, G2	

SOLAR PANELS AND TILT FRAME

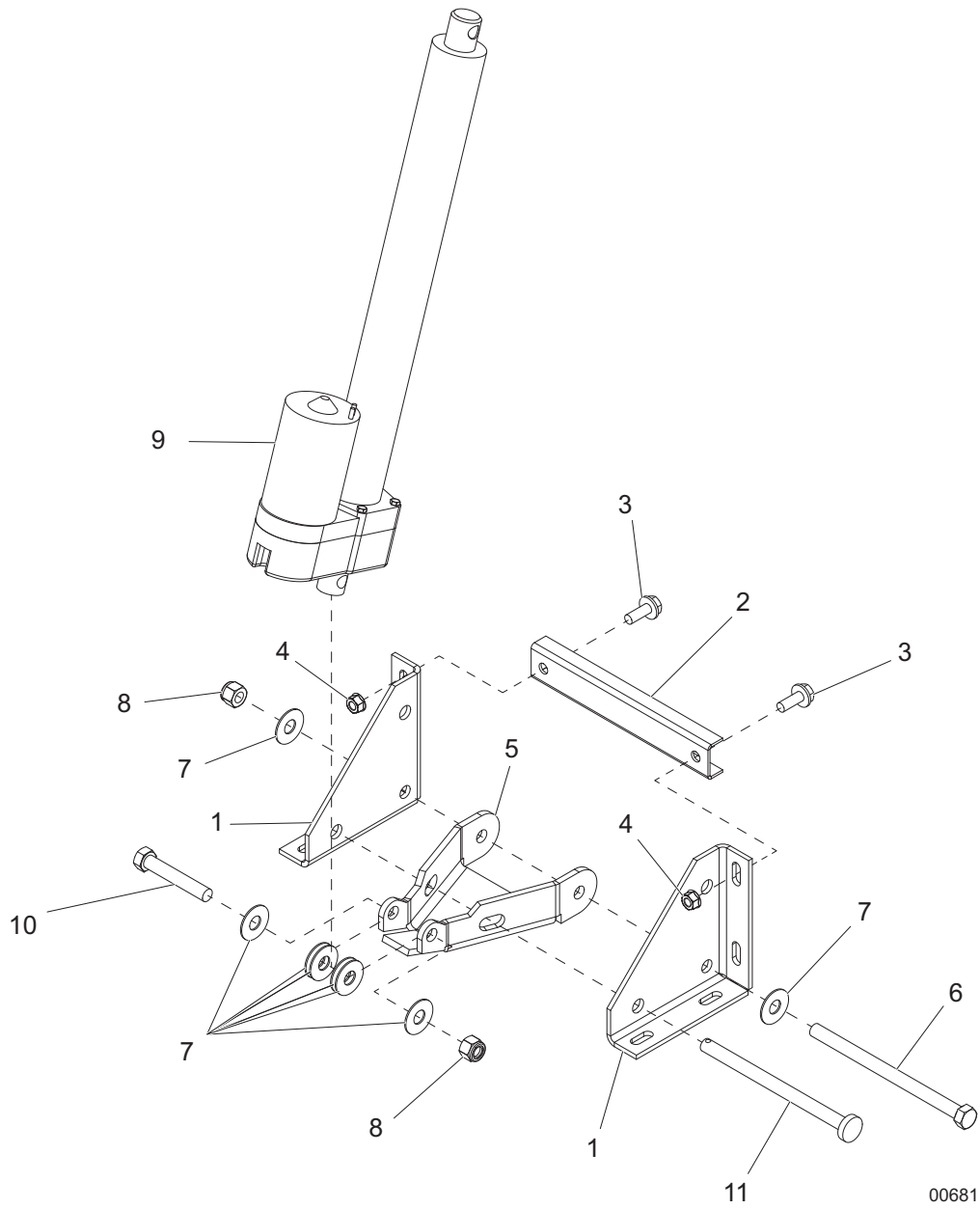


00680

SOLAR PANELS AND TILT FRAME

ITEM	PART NO.	QTY	DESCRIPTION	NOTES
1	33098B	1	Weldment, solar tilt table	
2	18460	1	Hinge, left (female)	
3	18462	1	Hinge, right (female)	
4	61066		Screw, .312-18x1.00 carriage square, SS	
5	60303	4	Nut, .312-18 nylock, G2	
6	33124	3	Solar panel, mono crystal (60 cell), 6T, 260 class	
7	33118B	1	Channel, front pivot	
8	63017	4	Screw, .312-18x.750 btn hex, SS	
9	60340	4	Washer, .312 flat .875/.040, SS	
10	63097	4	Insert, threaded .313-18 hex .027-.150 grip	
11	32442	20	Screw, .312-18x.750 pin-in torx, SS	
12	60119	20	Washer, .312 flat .875/.070	
13	60285	20	Nut, .312-18 hex, G2	
14	60295	2	Screw, .375-16x.750 std hex, SS	
15	60698	4	Washer, .375 flat .875/.040, SS	
16	60140	2	Nut, .375-16 hex, G5	
17	33999	2	Latch, link lock 3.43 grip	
18	60277	8	Screw, 10-32x.500 pan phil, G2	
19	60061	8	Nut, 10-32 nylock	
20	15215	12	Bumper, rubber	
21	60267	12	Rivet, .125 dia. x .191 to .270 grip	
22	34517	1	Plate, angle indicator	
23	60267	2	Rivet, .125 dia. x .191 to .270 grip	
24	34518	1	Arrow, angle indicator	
25	34516	1	Screw, .250-20x.313, shoulder .250L	
26	60284	5	Nut, .250-20 hex, G2	
27	33113B	1	Weldment, front panel mount	
28	26288	4	Handle, front hood access	
29	60052	8	Screw, .375-16x.750 std hex, G5	
30	60386	8	Washer, .375 flat .993/.064	
31	60140	8	Nut, .375-16 hex, G5	
32	33108B	1	Weldment, rear panel mount	
33	33998	2	Latch, draw 3.11-4.45 grip range - w/hook	
34	60175	4	Screw, .250-20x.500 sflg hex, G5	
35	60243	4	Washer, .250 flat .735/.060	
36	34307	4	Bumper, plastic .875 OD, .188 ID, .500 LG	
37	60662	4	Rivet, .156 dia. x .375 to .500 grip	
38	14234	4	Pin, clevis - .500 dia. x 2.00	
39	60416	4	Washer, .500 flat 1.375/.090	
40	15380	4	Pin, cotter - .125x1.25	
41	65707	1	Switch, toggle - spdt spring weatherproof	
42	34007	1	Cable, extension, solar 12.00 length	
43	34008	1	Cable, extension, solar, 52.00 length	
--	67864	1	Connector, solar bulkhead pos, w/terminal	
--	67865	1	Connector, solar bulkhead neg, w/terminal	

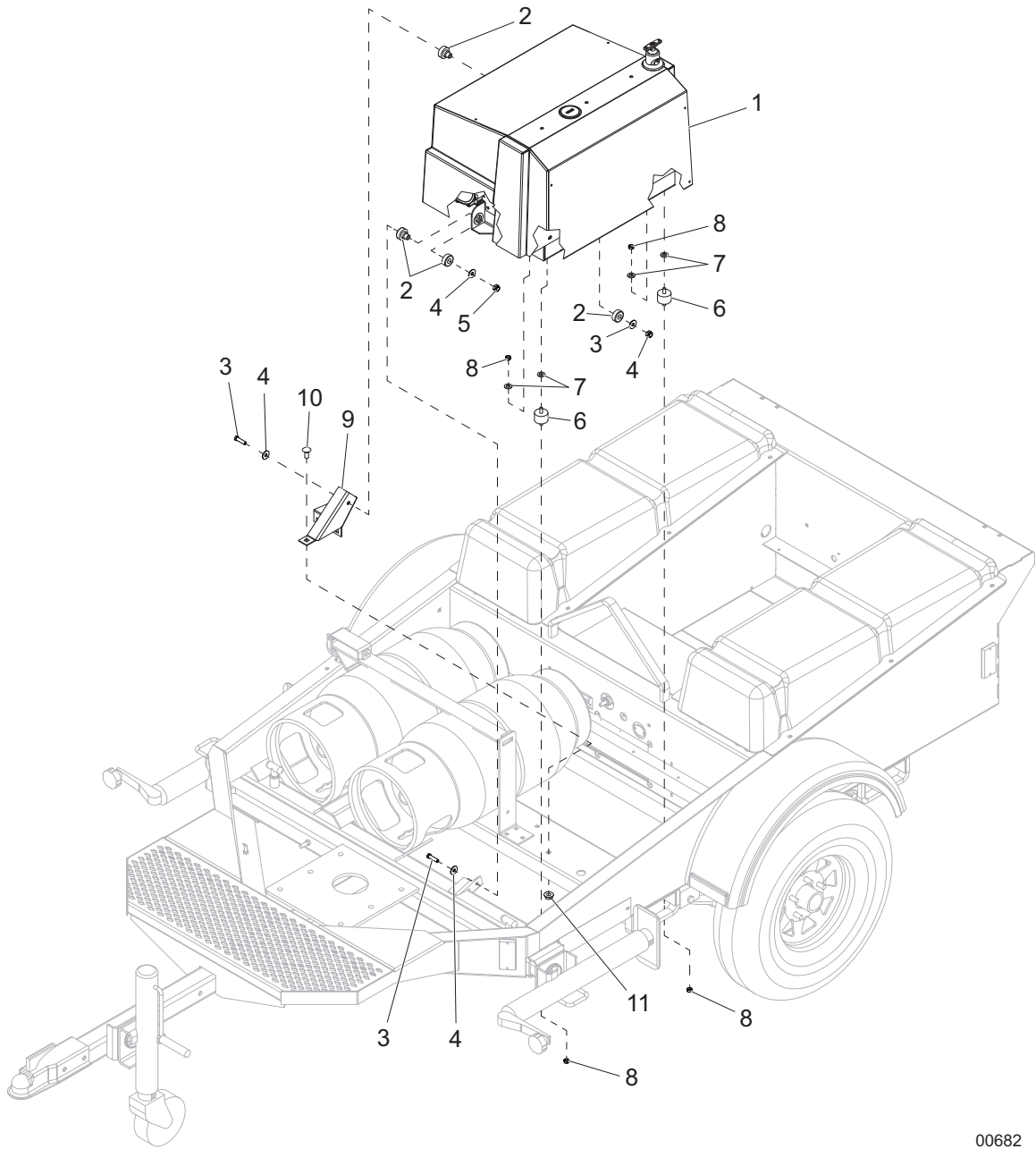
ACTUATOR ASSEMBLY



ACTUATOR ASSEMBLY

ITEM	PART NO.	QTY	DESCRIPTION	NOTES
1	34001B	2	Mount, actuator side	
2	34002B	1	Channel, actuator stop	
3	60517	2	Screw, .375-16x1.00 sflg hex	
4	60145	6	Nut, .375-16 sflg, G5	
5	34000B	1	Bracket, actuator mount	
6	60862	1	Screw, .500-13x7.500 std hex, SS	
7	60309	14	Washer, .500 flat 1.060/.090	
8	62221	3	Nut, .500-13 nylock, G5	
9	34011	1	Actuator, 14 in. stroke linear - 24V	
10	60983	1	Screw, .500-13x3.00 std hex	
11	34126	1	Pin, .500x7.00, w/hair pin & tether	
--	60790	4	Screw, .375-16x1.000 carr sqr, SS	

GENSET ASSEMBLY TO UNIT

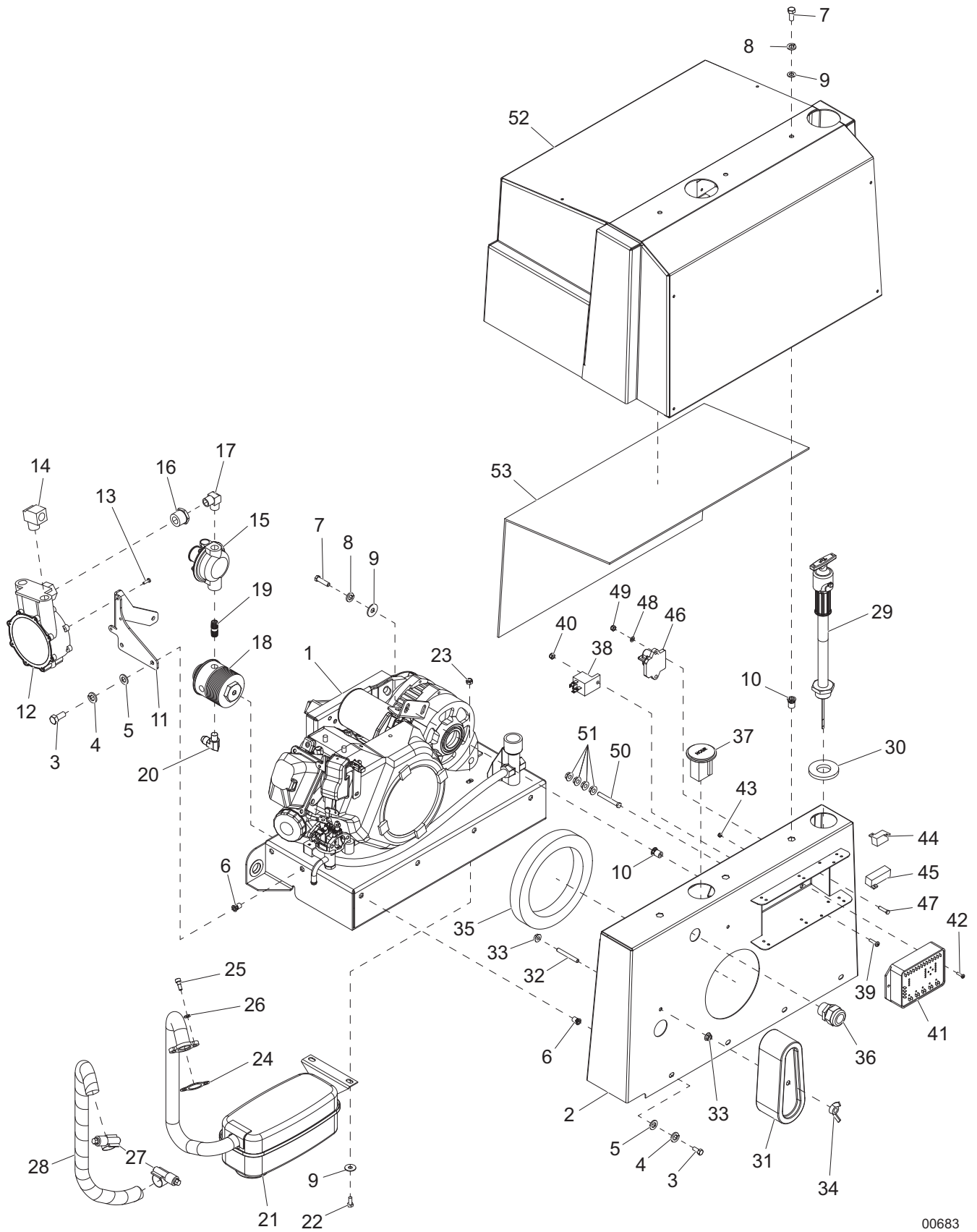


00682

GENSET ASSEMBLY TO UNIT

ITEM	PART NO.	QTY	DESCRIPTION	NOTES
1	32276	1	Assembly, genset, 4kW - gas	Items 2-11
2	33978	2	Isolator, side mount	
3	60478	2	Screw, .375-16x2.00 std hex, G5	
4	60386	4	Washer, .375 flat .993/.064	
5	60358	2	Nut, .375-16 nylock, G5	
6	34052	2	Isolator, rubber 1.50x1.00, 5/16-18 stud	
7	60119	4	Washer, .312 flat .875/.070	
8	60412	2	Nut, .312-18 hex, G5	
9	34021B	1	Mount, solar genset	
10	60790	3	Screw, .375-16x1.00 carr sqr, SS	
11	60145	3	Nut, .375-16 sflg, G5	

GENSET ASSEMBLY (1 OF 2)

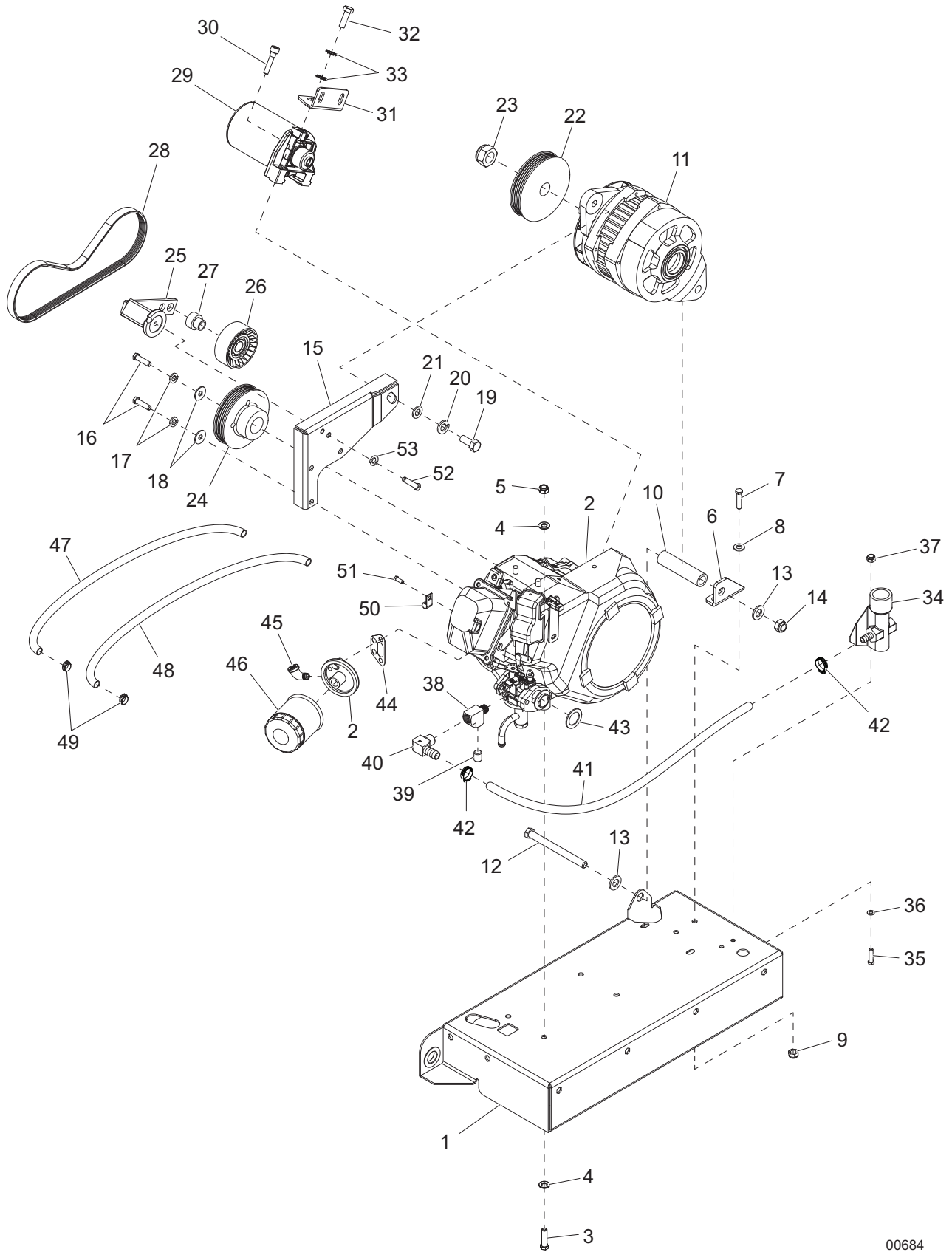


00683

GENSET ASSEMBLY (1 OF 2)

ITEM	PART NO.	QTY	DESCRIPTION	NOTES
1	Page 26	1	Assembly, genset	
2	34025B	1	Weldment, genset front, solar	
3	60281	9	Screw, .250-20x.750 std hex, G5	
4	60286	9	Washer, .250 split lock	
5	60243	9	Washer, .250 flat .735/.060	
6	63231	9	Insert, threaded .250-20 hex .027-.165	
7	60168	5	Screw, .312-18x.750 std hex, G5	
8	60271	5	Washer, .312 split lock	
9	60119	7	Washer, .312 flat .875/.070	
10	63097	5	Insert, threaded .313-18 hex .027-.150	
11	33970B	1	Bracket, fuel system mount	
12	34108	1	Regulator, low pressure	Included with item 1
13	34179	3	Screw, 8-32x.375 pan phil, G2	Self tapping
14	60998	1	Fitting, 90 - .500MNPT x .500FNPT, brass	
15	32151	1	Regulator, direct-operated	
16	63275	1	Fitting, strt - .750MPT x .375FNPT, brass	
17	23069	1	Fitting, 90 - .375MNPT, brass	
18	32150	1	Regulator, vaporizer - LPG	
19	34178	1	Fitting, nipple, pipe - .250NPT x close	
20	62179	1	Fitting, 90 - .250MNPT x .375JICM, steel	
21	34359	1	Muffler, solar - EES	
22	60028	2	Screw, .312-18x1.00 std hex, G5	
23	60303	2	Nut, .312-18 nylock, G2	
24	34174	1	Gasket, exhaust	
25	34175	2	Screw, M8-1.25 x 18	
26	60029	2	Washer, M8 split lock	
27	34588	5 ft	Insulation, exhaust tape	
28	60365	2	Clamp, hose - SAE 010 (.56-1.06)	
29	34173	1	Assembly, dipstick and tube, solar	
30	34451	1	Gasket, foam - 2.25 OD x 1.06 ID, .25 TH	
31	34043	1	Filter, air - solar	
32	34194	1	Stud, .250-20x2.750, SS	
33	60161	2	Nut, .250-20 sflg, G5	
34	60090	1	Nut, .250-20 wing, G5	
35	34099	1	Gasket, solar engine, 1.00 foam	
36	65490	1	Strain relief - 1.00 romex w/nut	
37	15085	1	Gauge, hourmeter	
38	67028	1	Relay, 24V 30/40A N.O. w/diode	
39	60068	1	Screw, 10-24x.500 pan phil, G2	
40	60457	1	Nut, 10-24 nylock, G2	
41	34164	1	Controller, solar engine propane	
42	60277	2	Screw, 10-32x.500 pan phil, G2	
43	60415	2	Nut, 10-32 nylock, SS	
44	34491	1	Assembly, resistor - 10Ω, 50W	
45	34492	1	Assembly, resistor - 3.3Ω, 25W	
46	34457	1	Contact, 24VDC, starter	
47	60281	2	Screw, .250-20x.750 std hex G5	
48	60243	2	Washer, .250 flat .735/.060	
49	60144	2	Nut, .250-20 nylock, G5	
50	60256	1	Screw, .312-18x1.50 std hex, G5	
51	60095	4	Nut, .312-18 sflg	
52	34084	1	Cover, solar genset	
53	34311	1	Foam, solar genset cover	

GENSET ASSEMBLY (2 OF 2)

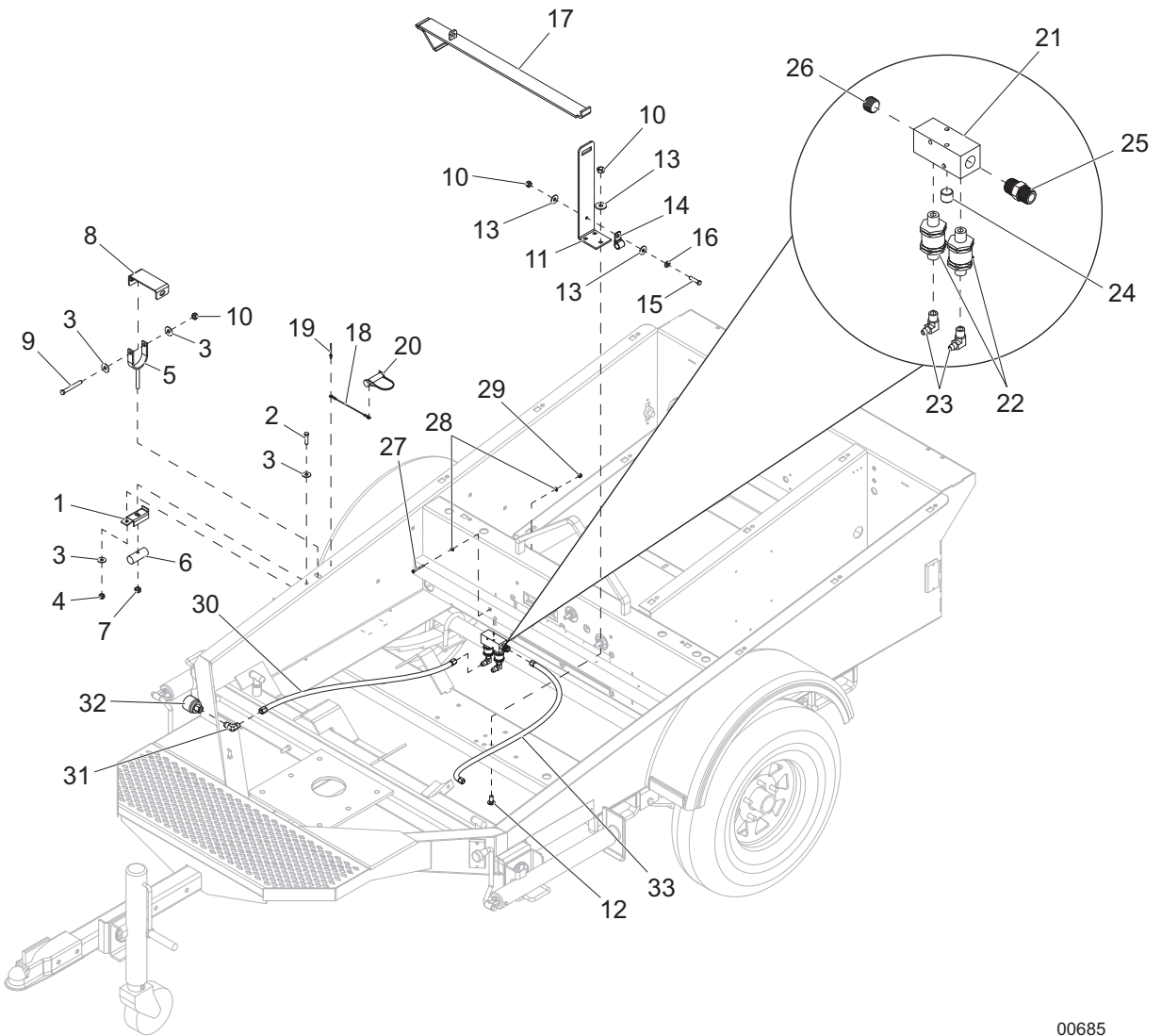


00684

GENSET ASSEMBLY (2 OF 2)

ITEM	PART NO.	QTY	DESCRIPTION	NOTES
1	34072B	1	Weldment, genset base	
2	34107	1	Engine, 220cc gaseous fueled	
3	61052	4	Screw, .312-18x1.50 std hex, SS	
4	60340	8	Washer, .312 flat .875/.040, SS	
5	60303	4	Nut, .312-18 nylock, G2	
6	34134B	1	Angle, gen mount - front, solar	
7	60028	2	Screw, .312-18x1.00 hex, G5	
8	60119	4	Washer, .312 flat .875/.070	
9	60303	2	Nut, .312-18 nylock, G2	
10	34136B	1	Tube, gen mount, solar	
11	34151	1	Generator, 24V DC - solar	
12	60283	1	Screw, .500-13x1.00 std hex, G5	
13	60416	2	Washer, .500 flat 1.375/.090	
14	62221	1	Nut, .500-13 nylock, G5	
15	34182B	1	Weldment, eng/gen mount	
16	62233	4	Screw, .312-24x.750, SS	
17	60271	4	Washer, .312 split lock	
18	60119	4	Washer, .312 flat .875/.070	
19	60275	1	Screw, .500-13x1.00 std hex, G5	
20	60276	1	Washer, .500 split lock	
21	60309	1	Washer, .500 flat 1.060/.090	
22	33938	1	Pulley, generator	
23	35894	1	Nut, M16-1.50 prevailing torque	
24	33983	1	Pulley, engine, solar	
25	33940	1	Tensioner, belt	
26	29061	1	Pulley, idler 17mm ID x 70mm ID x 25mm	
27	33977	1	Spacer, idler - solar	
28	34139	1	Belt, serpentine, solar	
29	34213	1	Starter, engine - 220cc 24VDC	
30	62270	2	Screw, M8-1.25x40 soc hex, G8.8	
31	33969B	1	Angle, panel mount, solar	
32	60165	1	Screw, M8-1.25x16 std hex, G10.9	
33	60053	2	Washer, .375 ext star	
34	34109	1	Housing, oil fill and drain	
35	60281	2	Screw, .250-20z.750 std hex, G5	
36	60243	2	Washer, .250 flat .735/.060	
37	60144	2	Nut, .250-20 nylock, G5	
38	63291	1	Fitting, tee .250NPT street brass	
39	25485	1	Fitting, plug .250-18 hex countersunk pipe	
40	20645	1	Fitting, 90-.250NPT x .375 barb brass	
41	50051	1.583 ft	Hose, fuel - .375 ID 50 psi SAE 30R7	
42	19453	2	Clamp, hose - SAE 006 (.37-.87)	
43	34191	1	Gasket, carb to air	
44	17952	1	Gasket, oil filter adapter	
45	34177	1	Fitting, 90 - .125MNPT x .125FNPT	
46	35077	1	Filter, oil, Generac 220CC	
47	50051	1.50 ft	Hose, fuel - .375 ID 50 psi SAE 30R7	
48	50051	1.58 ft	Hose, fuel - .375 ID 50 psi SAE 30R7	
49	60777	4	Clamp, hose - .312 fuel hose crimp style	
50	60716	1	Clamp, tubing - 1.50 lt duty	
51	62233	1	Screw, .312-24x.750, SS	
52	60049	1	Screw, M8-1.25x25 std hex, G8.8	
53	60029	1	Washer, M8 split lock	

LP TANK GROUP

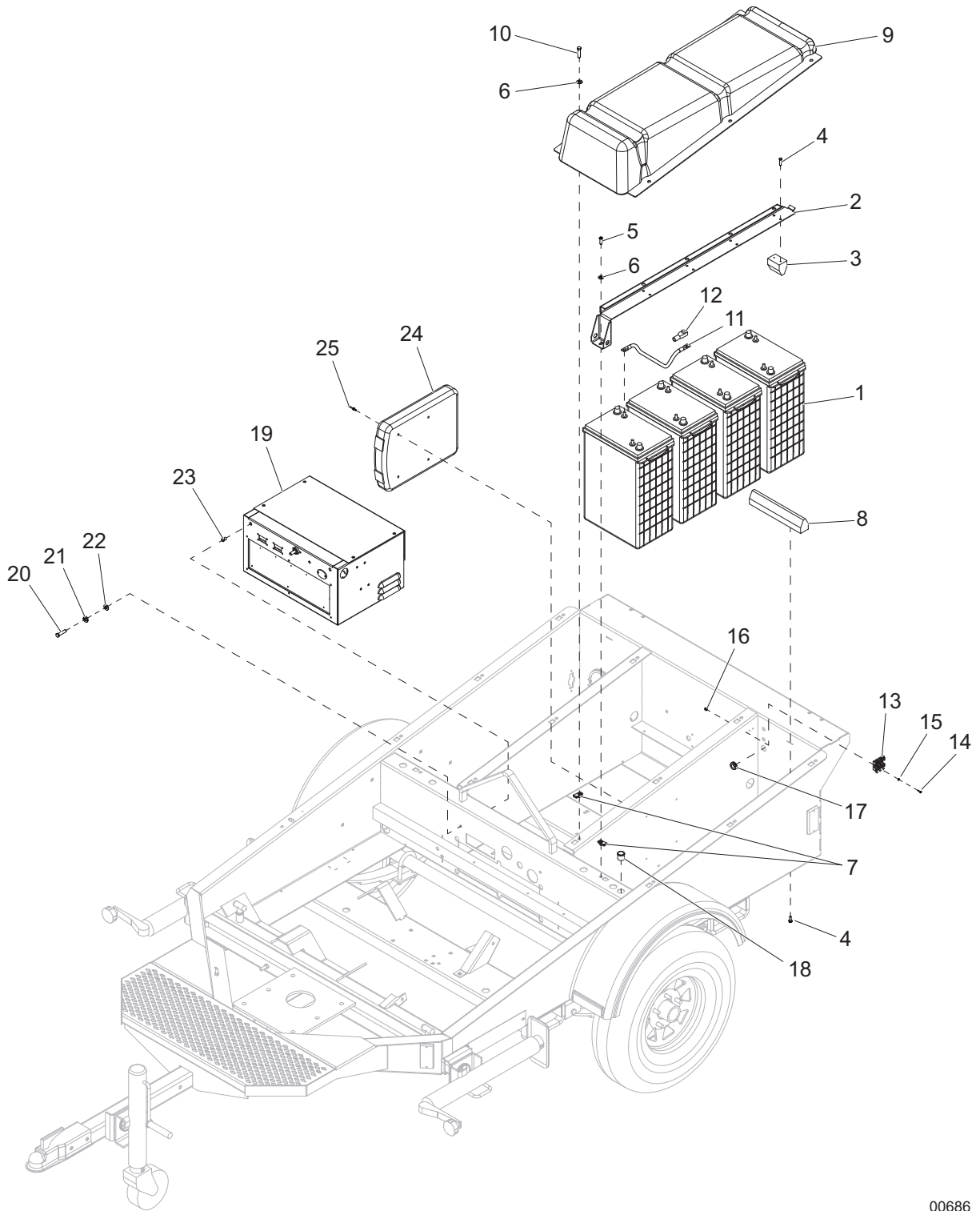


00685

LP TANK GROUP

ITEM	PART NO.	QTY	DESCRIPTION	NOTES
1	34041B	1	Bracket, yolk leveling	
2	60507	1	Screw, .312-18x1.00 std hex, SS	
3	60340	4	Washer, .312 flat .875/.040, SS	
4	60303	1	Nut, .312-18 nylock, G2	
5	34038B	1	Weldment, fuel tank yoke	
6	34040ZC	1	Rod, leveling	
7	60358	1	Nut, .375-16 nylock, G5	
8	34036B	1	Weldment, tank holder latch	
9	63318	1	Screw, .312-18x3.00 std hex, SS	
10	60412	5	Nut, .312-18 hex, G5	
11	34030B	1	Bracket, vertical tank holder	
12	61214	3	Screw, .312-18x.750 carr sqr, SS	
13	60119	5	Washer, .312 flat .875/.070	
14	60649	1	Clamp, tubing - .750 heavy duty	
15	60168	1	Screw, .312-18x.750 std hex, G5	
16	60271	1	Washer, .312 split lock	
17	34033B	1	Weldment, fuel tank top holder	
18	29993	1	Tether, cable steel - 12.00 long .19 eyes	
19	60646	1	Rivet, .126 dia x .250 grip alum	
20	34324	1	Pin, .375 OD x 1.375 - locking	
21	34366	1	Manifold, 3 - .250FNPT, 2 - .375FNPT	
22	34306	2	Check valve, LP hose, .250 NPT	
23	62179	2	Fitting, 90 - .250MNPT x .375JICM, steel	
24	60776	1	Fitting, plug - .250NPT hex flush mnt, brass	
25	62173	1	Fitting, strt - .375MNPT x .375JICM 37°, steel	
26	34367	1	Fitting, plug - .375NPT hex flush mnt, brass	
27	63299	2	Screw, 10-32x2.00 pan phil, G2	
28	60237	4	Washer, #10 flat .495/.036	
29	60061	2	Nut, 10-32 nylock	
30	34365	2	Assembly, hose .313x31.0, .375JICF	
31	62179	2	Fitting, 90 - .250MNPT x .375JICM, steel	
32	32549	2	Fitting, LP bottle coupling x .250FNPT	
33	34372	1	Assembly, hose .313x36.0, .375JICF	

BATTERY AND ELECTRICAL COMPARTMENTS

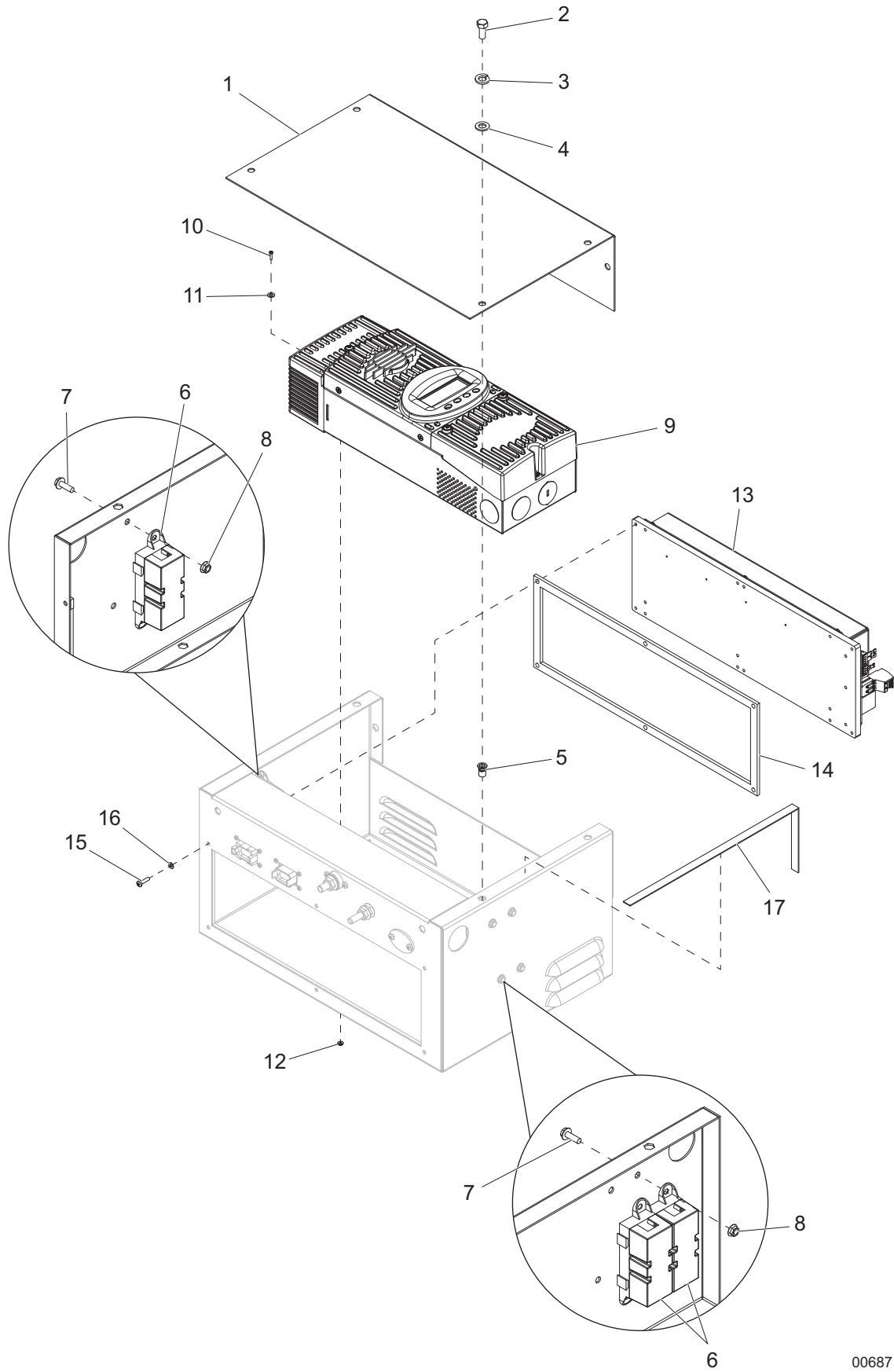


00686

BATTERY AND ELECTRICAL COMPARTMENTS

ITEM	PART NO.	QTY	DESCRIPTION	NOTES
1	30302	8	Battery, 6V L16 400AH AGM	
2	30381B	2	Bar, battery hold-down	
3	30407	8	Block, battery separator - plastic	
4	34012	32	Screw, 12-11x1.00 hex, G2 - thread forming	
5	60654	2	Screw, .312-18x1.00 button hex, SS	
6	60119	14	Washer, .312 flat .875/.070	
7	61147	14	Nut, .312-18 U-clip, G5 - long type	
8	30475	8	Block, battery separator	
9	30380	2	Cover, batteries	
10	60028	12	Screw, .312-18x1.00 std hex, G5	
11	34017	6	Battery cable, jumper - 18.00LG	
12	34322	14	Boot, battery terminal - red, 2/0 & 1/0	
13	66440	1	Fuse block, 20A/300VAC 3-pole, 3AG fuse	
14	61193	3	Screw, 6-32x.375 pan phil, SS	
15	62241	3	Washer, #6 split lock	
16	62157	3	Nut, 6-32 acorn NP	
17	29653	1	Grommet, rubber .563 ID x .125 TH x .873 hole	
18	22340	5	Fitting, bushing - 1.00 OD x .750 ID	
19	Page 32	1	Assembly, electrical compartment	
20	60281	4	Screw, .250-20x.750 std hex, G5	
21	60286	4	Washer, .250 split lock	
22	60243	4	Washer, .250 flat	
23	63231	2	Insert, threaded .250-20 hex .027-.165 grip	
24	24540	1	Holder, manual (plastic)	
25	60195	4	Rivet, .188 dia. x .375 to .500 grip large flange	

ELECTRICAL COMPARTMENT (1 OF 2)

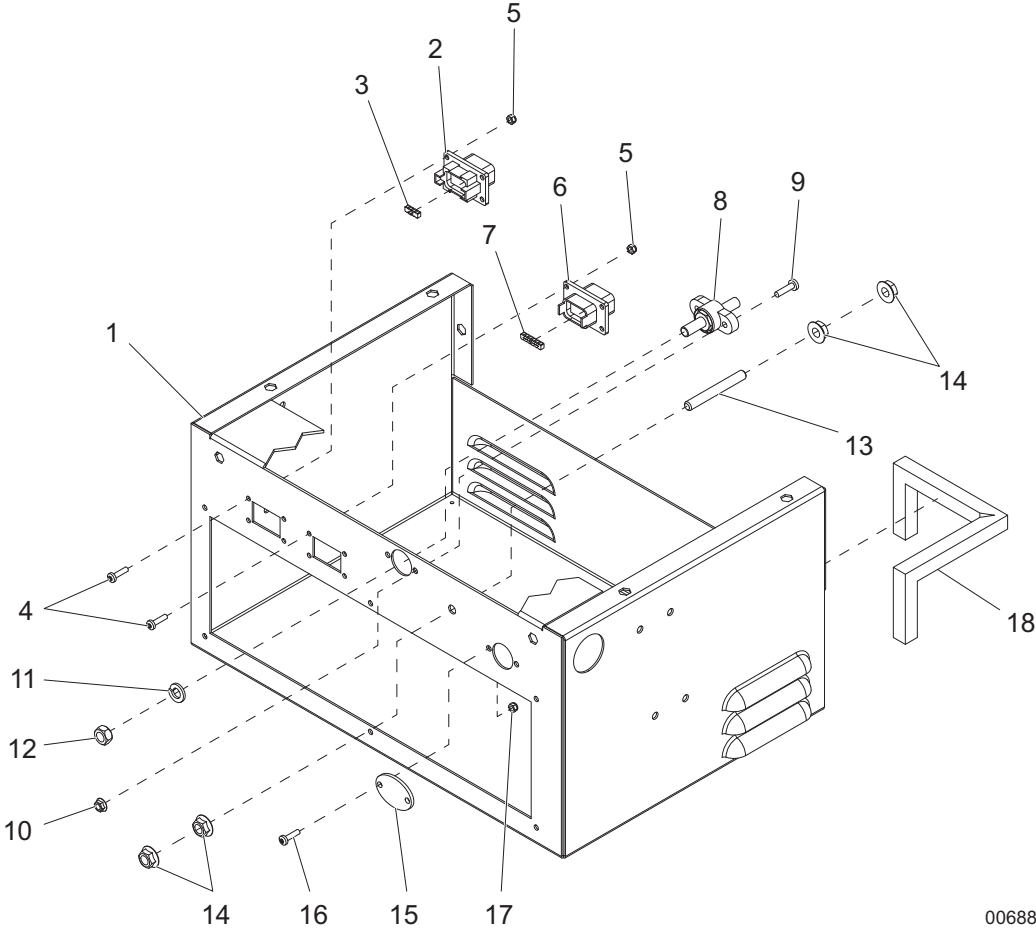


00687

ELECTRICAL COMPARTMENT (1 OF 2)

ITEM	PART NO.	QTY	DESCRIPTION	NOTES
1	34163B	1	Cover, solar driver control box	
2	60281	6	Screw, .250-20x.750 std hex, G5	
3	60286	6	Washer, .250 split lock	
4	60243	6	Washer, .250 flat .735/.060	
5	63231	8	Insert, threaded .250-20 hex .027-.165 grip	
6	66724	3	Fuse block, 250A/32V 1-POLE	
7	60175	6	Screw, .250-20x.500 sflg hex, G5	
8	60161	6	Nut, .250-20 sflg, G5	
9	66730	1	Controller, charge	
10	60062	4	Screw, 10-32x.750 pan phil, G2	
11	60237	4	Washer, #10 flat .495/.036	
12	61045	4	Nut, 10-32 sflg	
13	34015	1	Driver, LED 24VDC input	
14	34458	1	Foam gasket, solar driver	
15	62242	6	Screw, 10-32x.375 pan phil, SS	
16	62267	6	Washer, #10 flat .45/.030, nylon	
17	50197	3.7 ft	Weatherstripping - .06 x 1.00	

ELECTRICAL COMPARTMENT (2 OF 2)

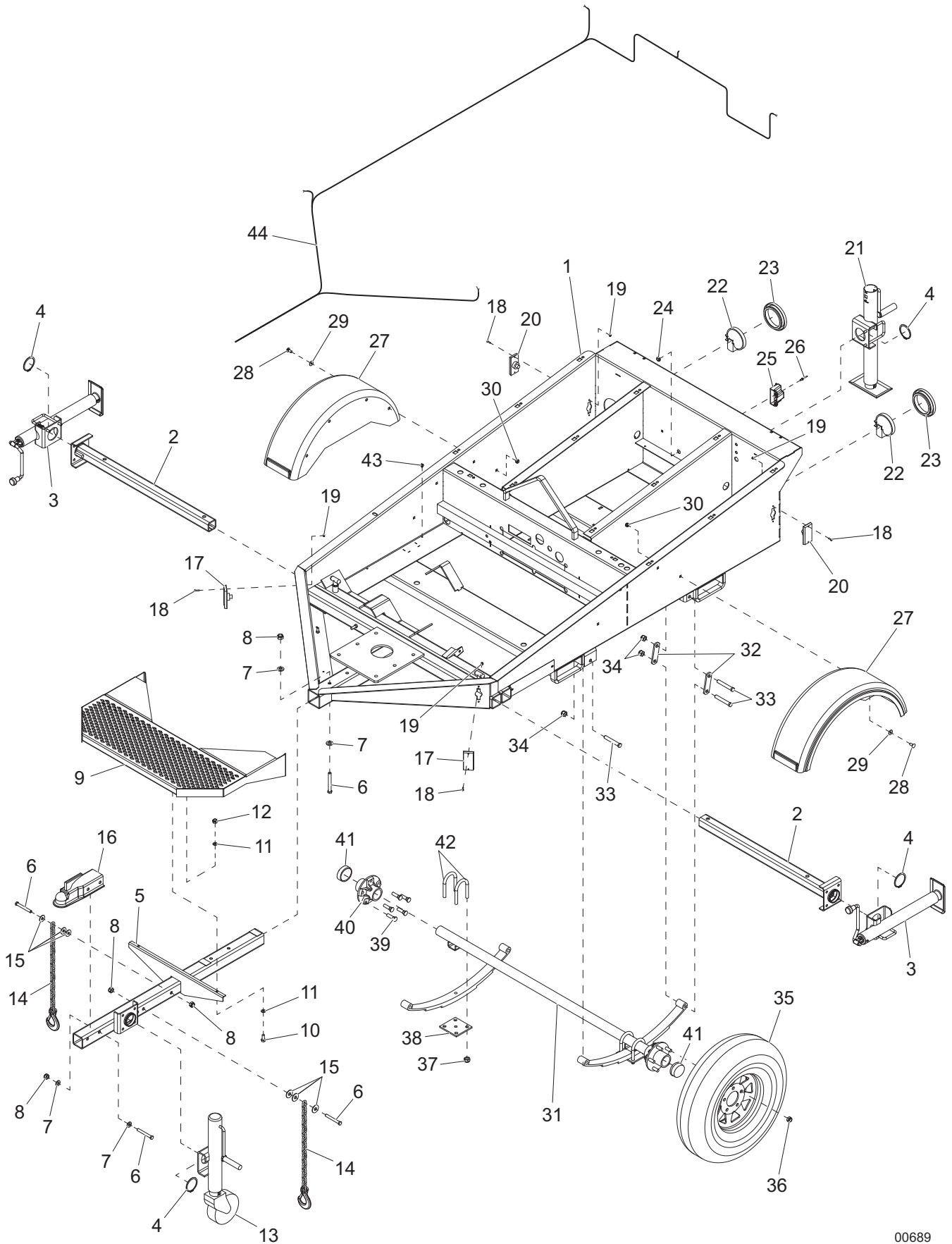


00688

ELECTRICAL COMPARTMENT (2 OF 2)

ITEM	PART NO.	QTY	DESCRIPTION	NOTES
1	34162B	1	Box, solar driver control	
2	67093	1	Connector, Deutsch 8 pos receptacle	
3	66379	1	Wedgelock, Deutsch 8 pos receptacle	
4	60526	8	Screw, 8-32 x .500 pan phil, G2	
5	60270	8	Nut, 8-32 nylock	
6	66695	1	Connector, Deutsch 12 pos receptacle	
7	67051	1	Wedgelock, Deutsch - 12 pos receptacle	
8	66986	1	Stud, pass-through .375-16	
9	60037	2	Screw, M5 - 0.80 x 20 pan phil, G4.8	
10	60038	2	Nut, M5 - .080 nylock	
11	60206	2	Washer, .375 split lock hardened	
12	60140	2	Nut, .375-16 hex, G5	
13	18992	1	Stud, ground - M8-1.25 x 100mm	
14	60020	4	Nut, M8-1.25 sflg, G8.8	
15	34523	1	Plate, hole cover	
16	60277	2	Screw, 10-32x.500 pan phil, G2	
17	60415	2	Nut, 10-32 nylock, SS	
18	34456	1	Foam gasket, charge controller air intake	

TRAILER ASSEMBLY



00689

TRAILER ASSEMBLY

ITEM	PART NO.	QTY	DESCRIPTION	NOTES
1	30290B	1	Weldment, chassis	
2	12431Z	2	Weldment, outrigger - 3000	
3	11682	2	Jack, top wind - 2000 lb	
4	14326	4	Ring, retaining	
5	32701B	1	Weldment, removable tongue	
6	50215	6	Screw, .500-13x4.00 std hex, G5	
7	60309	6	Washer, .500 flat 1.060/.090	
8	62221	6	Nut, .500-13 nylock, G5	
9	32698B	1	Weldment, platform	
10	60507	6	Screw, .312-18x1.00 std hex, SS	
11	60340	12	Washer, .312 flat .875/.040, SS	
12	60412	6	Nut, .312-18x1.00 hex, G5	
13	34091	1	Jack, side wind - 1200 lb wheel	
14	23367	2	Chain, safety - 7800 lb rated	
15	60416	8	Washer, .500 flat 1.375/.090	
16	16830	1	Coupler, 2.00 ball / 2.50 channel	
17	66373	2	Lens, amber - light, clearance marker	
--	65661	4	Bulb, light - clearance marker	
18	60694	8	Screw, 8-32x.750 pan phil, SS	
19	60730	8	Nut, 8-32 U-clip	
20	66372	2	Lens, red - light, clearance marker	
21	11681	1	Jack, side wind - 2000 lb	
22	10220	2	Light, rear tail/turn - round no grommet	
23	10221	2	Grommet, rear light - rubber 4.5 in	
24	12231	1	Grommet, rbr .50 ID x .25 TH x .75 ID hole	
25	32558	1	Bracket, license light	
--	10225	1	Light, license bracket	
26	60195	2	Rivet, .188 dia. x .375 to .500 grip large flg	
27	16560	2	Fender, plastic shell - 13 in tire	
28	60658	8	Screw, .375-16x1.00 carr sqr, G5	
29	60729	8	Washer, .375 fender 1.50/.090	
30	60358	8	Nut, .375-16 nylock, G5	
31	13131	1	Axle, 3000 lb 58TC 45SC	
32	19637	4	Plate, shackle bracket - 3.125	
33	60268	6	Screw, shackle, .562-18x3.00 std hex, G5	
34	60504	6	Nut, .562-18 L-hex, G5	
35	15540	2	Wheel, ST175/80D13 D, 1570# - 8PR	
36	60096	10	Nut, .500-20 lug, G5	
37	11279	8	Axle nut (Ubolt)	
38	11278	2	Tie plate	
39	60674	10	Stud, wheel	
40	11276	2	Hub w/races	
41	32880	2	Grease Cap	
42	11277	4	U-bolt	
--	32672	1	Axle group - 13" tires, 3000 lb	Items 27-42
43	66685	14	Mount, cable tie - fir tree	
44	65480	1	Harness, trailer wiring - w/plug 30ft	

REV: ORG
PART NO: 34673
06.06.14